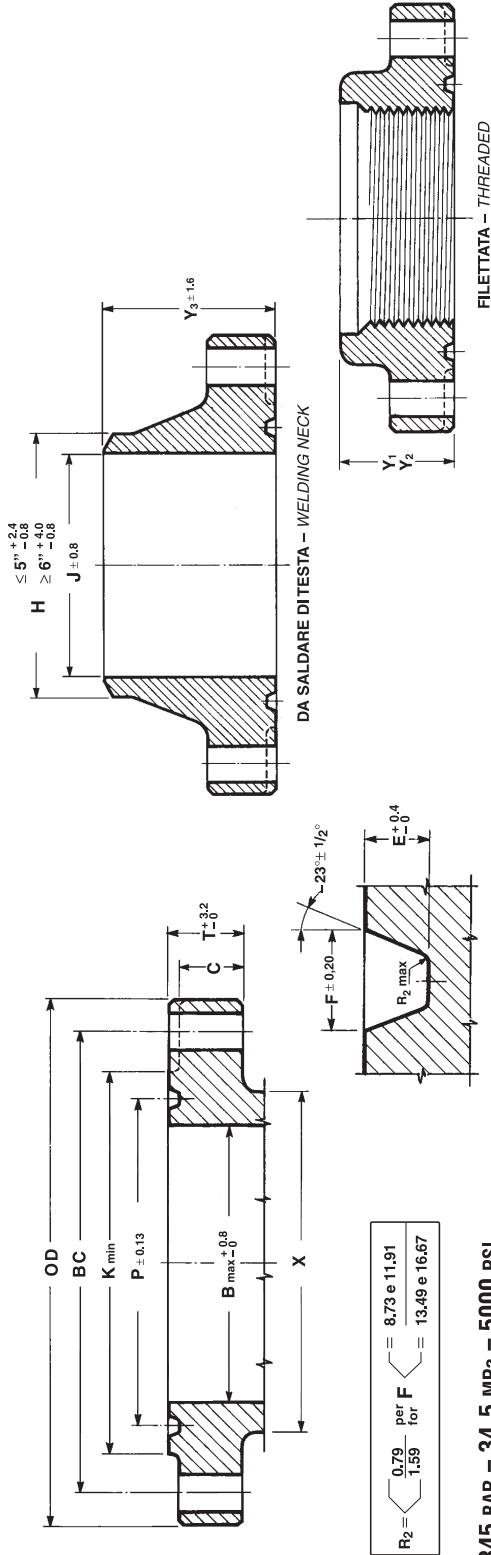




# FLANGE TIPO API 6B API TYPE 6B FLANGES

**5000 PSI**  
API 6A



**345 BAR = 34,5 MPa = 5000 PSI**

NOMINAL SIZE AND BORE OF FLANGE	"VECCHIO" DN FLANGIA		DIA. ESTERNO OUTSIDE DIAM.		SPESORE TOTAL THICKNESS	SPESORE BASE BASIC THICKNESS (mm)	DIA. DEL COLLARE DIAM. OF HUB		DIA. BULLONI DIAM. OF BOLTS		DIA. FORI DIAM. OF BOLT HOLES		LUNGH. TIRANTI LENGTH OF STUD BOLTS		N° ANELLO R O RX RING NUMBER	DIMENSIONI SCANALATURA PER GIUNTO AD ANELLO E FACIA DELLA FLANGIA RING-JOINT GROOVE AND FLANGE FACING DIMENSIONS				DIMENSIONI DEL COLLARE E FORO DELLA FLANGIA HUB AND BORE DIMENSIONS				FORO WIN HOLE DIA.	J				
	DN FORO DELLA FLANGIA	B	OD	T			C	X	BC	NUMERO BULLONI NUMBER OF BOLTS	DIA. BULLONI DIAM. OF BOLTS	DIA. FORI DIAM. OF BOLT HOLES	L	PROFOND. SCANALAT. OF GROOVE WIDTH		LARGH. SCANALAT. OF GROOVE	DIAMETRO DEL RISALTO DIAM. OF GROOVE	PROFOND. SCANALAT. OF GROOVE DEPTH	ALTEZZA TOTALE HUB LENGTH	FILETTATE THREADED	LINE PIPE CASING	Y1	Y2			Y3	H		
2 1/16	52,4	216,0	46,0	38,1	104,8	165,1	8	7/8	25,5	152,5	24	95,25	11,91	7,94	124,0	65,0	-	65,0	60,5										
2 9/16	65,1	244,5	49,2	41,3	123,8	190,5	8	1	28,5	165,0	27	107,95	11,91	7,94	136,5	71,5	-	71,5	73,2										
3 1/8	79,4	267,0	55,6	47,6	133,4	203,2	8	1 1/8	32,0	184,0	35	136,53	11,91	7,94	168,5	81,0	-	81,0	88,9										
4 1/16	103,2	311,0	61,9	54,0	161,9	241,3	8	1 1/4	35,0	203,0	39	161,93	11,91	7,94	193,5	98,5	98,5	98,5	114,3										
7 1/16	179,4	394,0	92,1	82,6	228,6	317,5	12	1 3/8	38,0	273,0	46	211,14	13,49	9,53	247,5	128,5	128,5	128,5	181,0	168,4									
9	228,6	482,5	103,2	92,1	292,1	393,7	12	1 5/8	44,5	305,0	50	269,88	16,67	11,11	317,5	154,0	154,0	154,0	219,2	219,2									
11	279,4	584,0	119,1	108,0	368,3	482,6	12	1 7/8	51,0	349,0	54	323,85	16,67	11,11	371,5	170,0	170,0	170,0	273,1	273,1									

DIMENSIONS IN MM.

To be specified by the purchaser